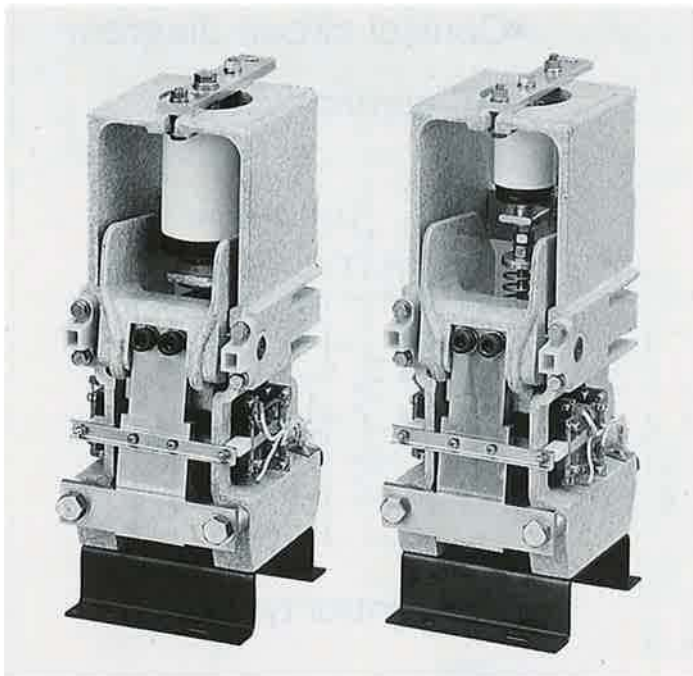


# VHS TYPE HIGH-VOLTAGE VACUUM CONTACTOR



VHS6-4  
Weight about 10kg

VHS3-3  
Weight about 9kg

As for vacuum electromagnetic contactor, it is small, efficient, and the maintenance check widely used for the industrial world by the merit of easiness etc.

## Features

### ○High reliability

It produces under a thorough quality control, and high reliability is maintained.

### ○Small

A tracking and good glass polyester molding insulation thing is multiused, and the structure that it is small and the insulation reliability is high.

### ○Maintenance free

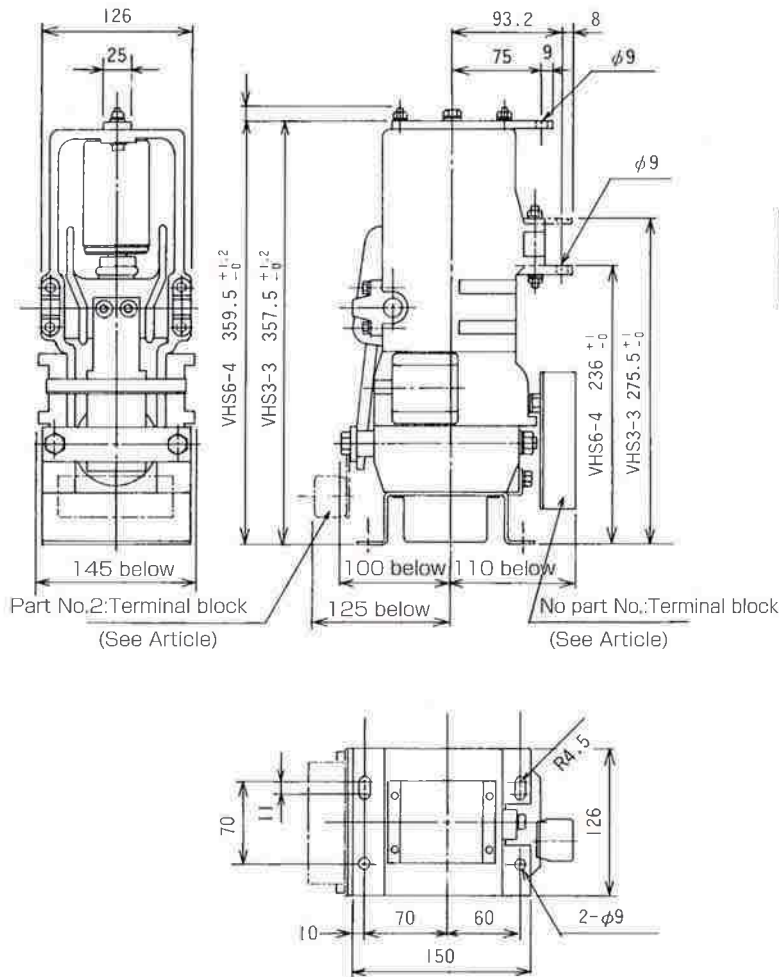
The consumption of the point of contact is a little because the arc voltage is low, and the insulation recovery characteristic is early, and even regulated longevity hardly needs the maintenance check for the vacuum interception.

## Characteristics

Model			VHS 3 - 3	VHS 6 - 4 / VHS 6 - 4 - 1	VHS 6 - 4 - 2
Application				Standard specification	Condenser load
Rated voltage (V)			3300	6600	3300
Rated current (A)			300	400	300
Rated frequency (Hz)			50/60	50/60	50/60
Short-circuit breaking current (A)			4000	4000	4000
Short-time current (A)			4000, 1 sec	4000, 1 sec	-
Insulation class			Class 3 - A	Class 6 - A	Class 6 - A
Insulation class (bet. common-mode poles)			Class 3 - B	Class 6 - B	Class 6 - B
Make current capacity (A)			2400 (AC3class)	3200 (AC3class)	3200 (AC3class)
Break current capacity (A)			2400 (AC3class)	3200 (AC3class)	3200 (AC3class)
Frequency of operation (times/h)			600	1200	1200
Electrical life			300A:100,000times, 150A:250,000times	250,000 times	100,000 times
Mechanical life			2,500,000 times	2,500,000 times	500,000 times
Min. operating voltage (V)			Rated voltage × 80% or below	Rated voltage × 80% or below	Rated voltage × 80% or below
Release voltage (V)			Rated voltage × 10% or above	Rated voltage × 10% or above	Rated voltage × 10% or above
Control current (A)	AC100 / 110V	Make	2.4 / 2.7	3.0 / 3.2	3.0 / 3.2
		Hold	0.18 / 0.2	0.18 / 0.2	0.18 / 0.2
	AC200 / 220V	Make	1.3 / 1.6	1.6 / 1.9	1.6 / 1.9
		Hold	0.09 / 0.1	0.09 / 0.1	0.09 / 0.1
	DC24V	Make	8.5	11.0	11.0
		Hold	0.55	0.55	0.55
	DC100 / 110V	Make	2.1 / 2.3	2.5 / 2.8	2.5 / 2.8
		Hold	0.15 / 0.17	0.15 / 0.17	0.15 / 0.17
Auxiliary contacts		Arrangement	2 a 1 b	2 a 1 b	2 a 1 b
		Rated	AC250V-15A, DC110V-5A	AC250V-15A, DC110V-5A	AC250V-15A, DC110V-5A
Withstand voltage of control circuit			2000V for 1min	2000V for 1min	2000V for 1min

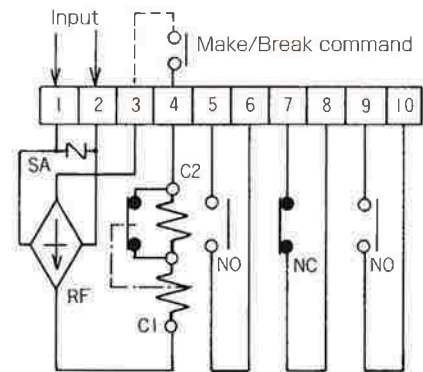
# VHS TYPE HIGH-VOLTAGE VACUUM CONTACTOR

## ■ Dimensional drawing

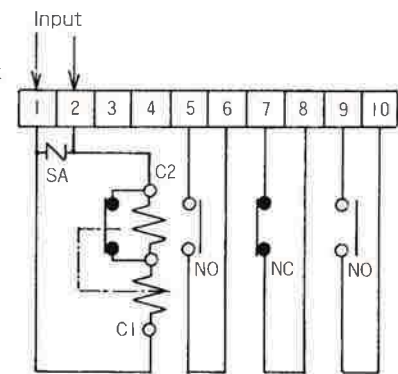


## ■ Control circuit diagram

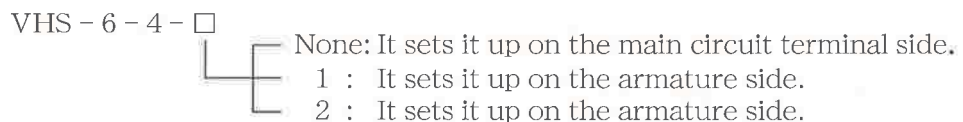
### AC control type



### DC control type



## ■ Article ※ Model display by position of terminal block for operation circuit



※ The ratings current of the terminal block for the operation circuit is screw diameter M3.5 by 15A.

Head Office & Plant 4684-1 Shimosuwa, Nagano-ken 393-0087 Japan  
 TEL (0266)27-8910 FAX (0266)27-7628

**Tokyo Office** 3F Tomiharu Bldg, 1-11-4 Ueno, Daito-ku, Tokyo  
 TEL (03)3834-9722 FAX (03)5817-0282  
**Osaka Office** Sanwa Bldg, 2-4-17 Doshin, Kita-ku, Osaka 530-0035  
 TEL (06)6353-0221 FAX (06)6351-1288  
**Nagoya Office** 3-11-12 Ootemachi, Kasugai City, Aichi-ken 486-0807  
 TEL (0568)82-4271 FAX (0568)82-4276  
**Sendai Office** 2-22-23 Yamanotera, Izumi-ku, Sendai 981-3103  
 TEL (022)773-5861 FAX (022)773-5862  
**Kyushu Office** Shoko-danchi 1-23 Fujiki-cho, Tosu City, Saga-ken 841-0048  
 TEL (0942)83-0564 FAX (0942)83-0264  
**Suwa Office** 4684-1 Shimosuwa, Suwa-gun, Nagano-ken 393-0087  
 TEL (0266)27-8910 FAX (0266)27-7628  
**Chikuma Plant** 100 Haneo, Chikuma City, Nagano-ken 389-0812  
 TEL (026)276-5000 FAX (026)276-5003